



EOX 10W is the CO2 Laser family for laser coding and marking applications. EOX 10W offers high quality permanent marking on Wide range of organics materials (like wood) and it includes cardboard, ceramic, plastics and painted or anodized metal. Combining excellent laser beam quality and advanced control unit, EOX 10W is suitable for accurate Industrial Traceability as well as high productivity Coding applications. EOX 10W offers a ALL-IN-ONE case with very compact dimensions. It provide axys controls and Photocell/Encoder ports for Marking On Fly (MOF) typically required for Coding applications. Advanced MOF features allows complete synchronization between Marking head and object movement applicable even in accelerated or start-stop movement conditions. MOF increases production lines throughput with linear speed up to 75mt/min and 12.000 pcs/hour (about 8/10 pcs/sec – it depends by the speed of the roller). EOX-10 implements Embedded Marking Controller (EMC) for complete system control in 'Stand Alone Mode" or 'Master –Slave Mode". CO2 marking system is very attractive for Coding application thanks to Low cost operation as a result of almost to no maintenance and no requirement for expensive consumables. EOX 10W meets flexibility requirements thanks to extended marking area up to 140x140mm (focal lens depending). Reliable and safe, EOX 10W provides a clean technology with short return of investment and minimal maintenance.



LASER MARKING

FEATURES & BENEFITS

- Complete air cooled industrial compact design
- Excellent marking performance
- Integrated diagnostics, easy communication and connectivity
- Flexible scan-head configurations
- Highly Customizable
- Extreme reliability and flexibility
- Lighter suite
- Embedded Marking Controller

APPLICATIONS

- This product has been developed to satisfy the requirements of the following reference applications:
- Coding and marking applications in the food, pharma, and electronics industries

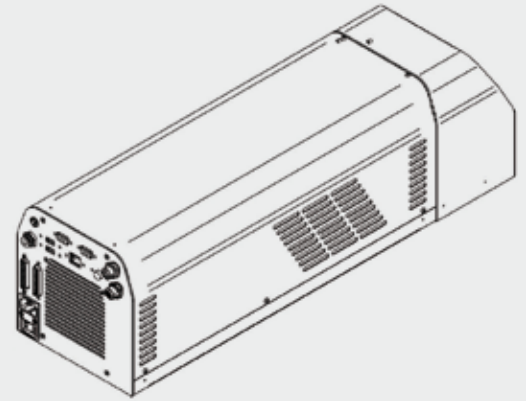


EOX 10W

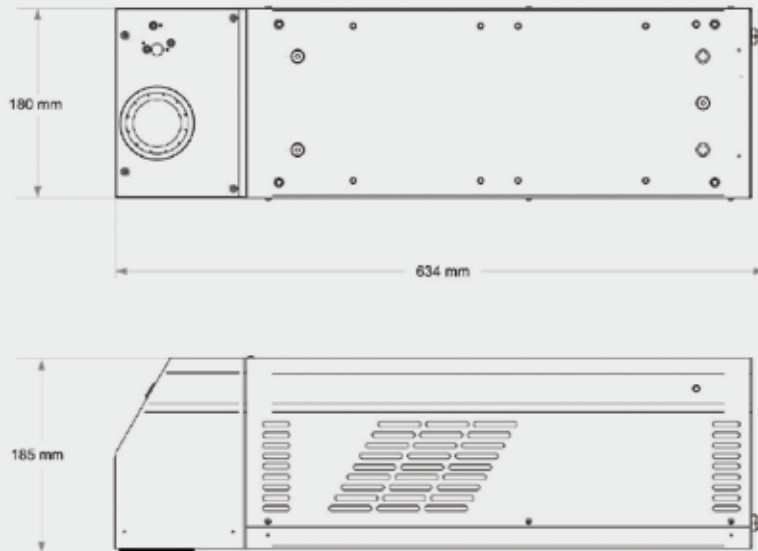
CHARACTERISTICS	
Nomination Power	10W
Wave Length	10.6 µm
Laser Source	CLASS 4, CO2 sealed laser tube
Marking capabilities	Standing, Rotary axis, On the fly (marking in motion)
Integration	Up to 4 mechanical axis driving capabilities (stepper motor) Up to 10 digital inputs and 10 digital output fully programmable 1 dedicated connector for dual line high resolution encoder and 1 dedicated connector for photocell
Aiming Beam	3mW @ 635 nm
Focus Beam	3mW @ 635 nm
Temperature Range	Operative 15°C to 35°C Storing -10°C to 60°C
Cooling System	Integrated Fan cooled
Power Supply	100/240 VAC – 50/60 Hz
Dimension & Weight	180x185x634 mm kg17
Protection Grade	IP 21

All laser sources described in this product guide are Class 4 laser sources. Laser interaction with organic or inorganic material can cause TOXIC FUMES/PARTICLES. The OEM laser components described in this product guide is for sale solely to qualified manufacturers, who shall provide interlocks, indicators and other appropriate safety features in full compliance with applicable national and local regulations.

Lens	100mm	200mm
Working distance	100	200
Working area	70x70 mm	140x140 mm



DIMENSIONS



MODEL SELECTION AND ORDER INFORMATION

MODEL	DESCRIPTION	ORDER N°
EOX 6100-1240 CO2 System	10W CO2 Laser Marker F-THETA 100	985140000
EOX 6102-1540 CO2 System	10W CO2 Laser Marker F-THETA 200	985140014

Rev. 02, 04/2013



www.martekindustries.co.uk

The company endeavours to continuously improve and renew its products; for this reason the technical data and contents of this catalogue may undergo variations without prior notice. For correct installation and use, the company can guarantee only the data indicated in the instruction manual supplied with the products. Product and Company names and logos referenced may be either trademarks or registered trademarks of their respective companies. We reserve the right to make modifications and improvements.