

EBS BOLTMARK™ SERIES

Industrial continuous inkjet printers



Advanced, affordable small character printers

The Boltmark™ range uses tried-and-tested continuous inkjet (CIJ) technology in a new platform that reduces service requirements and enables users to carry out their own maintenance.

The iModule core contains all of the serviceable wear parts and can be changed in under a minute without the need to call out a service engineer.

Three models are available to suit virtually any application from simple, low volume printing to high-speed, high-volume applications with complex interfacing requirements.

Simple, reliable design

Boltmark™ printers have been designed to be easy and affordable to operate. Ink and solvent are supplied in clean, quick-change cartridges.

Compressed air is not used so set-up is very quick and contaminants do not enter the system.

The iModule core is available in 3 versions with 4,000, 6,000 or 8,000 hours operation to suit the throughput of the production line.

The combination of touchscreen display and membrane keyboard makes editing messages and monitoring the printer very intuitive and quick.



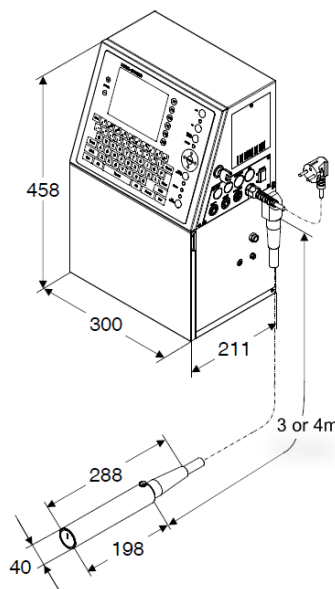
Features & specifications



Model	EBS-6500	EBS-6800	EBS-7200
Print matrix	16 or 25 dots	16, 25 or 32 dots	16, 25 or 32 dots
Nozzle diameter:	60µm	60µm (50µm optional)	50µm
iModule included:	4,000 hours / 18 months	6,000 hours / 18 months	8,000 hours / 18 months
Max. print speed:	441m/min	441m/min	495m/min
Print height:	1.4 to 12mm	1.4 to 12mm standard 1.2 to 9mm w/ 50µm nozzle	1.2 to 9mm
Text lines:	Up to 3 for 7x5 dot chrs	Up to 3 for 7x5 dot chrs Up to 5 for 5x5 dot chrs	Up to 3 for 7x5 dot chrs Up to 5 for 5x5 dot chrs
Memory (messages):	100	1024 (2000 optional)	1024 (2000 optional)
Printhead cable:	3m	3m (4m and 6m optional)	3m (4m optional)
Printhead distance:	Up to 30mm	Up to 30mm	Up to 15mm
Solvent consumption:	Up to 200 hours / litre	Up to 200 hours / litre	Up to 200 hours / litre
Ink consumption: ¹	70 million chr/litre	70 million chr/litre 140 million with 50µm nozzle	140 million chr/litre
Standard interfaces:	RS-232 & USB	RS-232 & USB	RS-232 & USB
Optional interfaces:	-	Ethernet, RS-485, 2 nd RS-232,	Ethernet, RS-485, 2 nd RS-232,
Power supply:	100-240Vac @ 50-60Hz max. 29W		
InkNET option:	No	Yes	Yes

¹ characters per litre based on 7x5 dot characters

- Printhead protection with positive air
- 5.7" high-contrast LCD touchscreen
- Automatic nozzle cleaning
- Print in any direction
- Ultra-flexible printhead cable
- Smooth, clean umbilical cable
- All common 1D codes as standard
- 2D ECC-200 Datamatrix optional
- Stainless steel enclosure
- Encoder option for variable speed lines



Martek Industries Ltd
 12B Ridings Park Industrial Estate
 Cannock – Staffordshire
 WS11 7FJ – UK
 Tel: +44 (0)1543 502202
 sales@martekindustries.co.uk
 www.martekindustries.co.uk