

EBS-6600 Boltmark-II Continuous Inkjet Printer



industrial inkjet printer

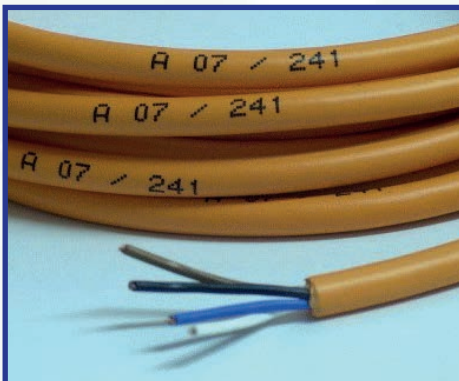
EBS Boltmark-II series continuous inkjet printers allow high-speed, non-contact printing onto porous and non-porous surfaces with inks that dry immediately on contact.

Text from 1.2 to 12mm high, barcodes and graphics can be printed at speeds up to 500m/min.

The optional UPS backup system ensures correct shut-down and flushing in the event of power loss avoiding start-up problems.

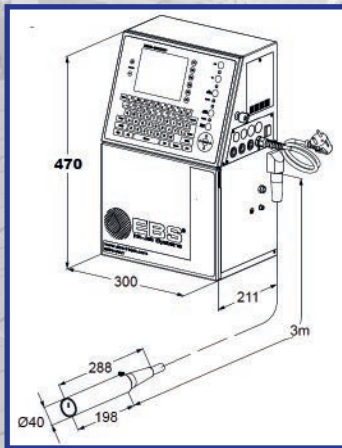


metal - wood - foil - plastics - glass ...



low maintenance

Ink and solvent are supplied in quick-change, clean cartridges with 900ml capacity. The convenient iModule core contains all of the routine wear parts and can be easily replaced every 12-months or 18-months without the need for a service call. A range of cores is available to suit all shift patterns.



The optional UPS backup system ensures the printer shuts down correctly and automatically flushes in the event of a power failure or incorrect shut-down.

When a power outage is detected, the UPS automatically maintains power allowing the printer to continue operating until the supply is reconnected. If the supply is not reconnected, the printer automatically flushes and shuts down in a controlled manner avoiding start-up problems.

Specification

Print matrix:	16-dots standard. 25-dots optional.	Nozzle size	60 microns
Lines of print:	2 as standard. Optional up to 4.	Print fonts - standard:	5x5, 7x4, 7x5, 9x5, 9x7, 11x7, 12x7, 14x9, 16x9, 16x10, 16x14
Text sizes:	1.2 to 12mm	Print fonts - optional:	21x15, 25x15
Printing speed:	Up to 500m/min (5x5 dot single line)	Screen type:	High-contrast LCD touchscreen with membrane full keyboard
Interfaces:	Ethernet, USB standard, RS232 optional	Printhead protection:	positive air pressure
Graphics editor:	Built-in graphics editor	Ink types:	MEK-based black standard, MEK-black extra adhesion, black/blue thermochromatic
1D barcodes:	Included as standard	Ink consumption:	70 million characters 7x5 per litre
2D codes:	ECC-200 Datamatrix optional	Solvent consumption:	Typically 200 hours / litre
Printhead umbilical:	3m ultra-flexible, smooth surface	iModule cores:	4000 hours / 12 months
Message storage:	100 messages		4000, 6000, 8000 and 13000 hours / 18 months
IP protection:	IP55		
Electrical supply:	100-240Vac @ 50-60Hz		
Power consumption:	19W		
Options:	Encoder, RS232 interface, floor stand, my.ebs.ink LAN monitoring software, 25-dot print matrix, ECC-200 Datamatrix 2D code printing,		

Martek Industries Ltd
12B Ridings Park Industrial Estate
Eastern Way
Cannock
Staffordshire
WS11 7FJ

Tel: 01543 502202
sales@martekindustries.co.uk
martekindustries.co.uk
@Martek_Ind

© Martek Industries Ltd 2020