

EBS-6900 Boltmark-II Continuous Inkjet Printer



high-specification CIJ printer

EBS 6900 Boltmark-II series continuous inkjet printers allow high-speed, non-contact printing onto porous and non-porous surfaces with inks that dry immediately on contact.

Up to 5 lines of text, logos, barcodes and 2D codes can be printed at up to 500m/min.

Optional IP65 protection makes the EBS-6900 ideal for harsh environments.

The optional UPS backup system ensures correct shut-down and flushing in the event of power loss avoiding start-up problems.



ip65 option



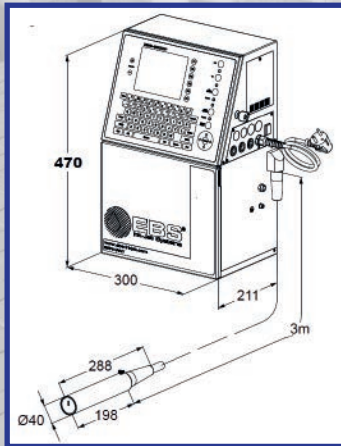
5 lines of text



90 degree printhead option

low maintenance

Ink and solvent are supplied in quick-change, clean cartridges with 900ml capacity. The convenient iModule core contains all of the routine wear parts and can be easily replaced every 12-months or 18-months without the need for a service call. A range of cores is available to suit all shift patterns.



The optional UPS backup system ensures the printer shuts down correctly and automatically flushes in the event of a power failure or incorrect shut-down.

When a power outage is detected, the UPS automatically maintains power allowing the printer to continue operating until the supply is reconnected. If the supply is not reconnected, the printer automatically flushes and shuts down in a controlled manner avoiding start-up problems.

Specification

Print matrix:	25-dots standard. 32-dots optional.	Nozzle size	57 microns
Lines of print:	3 as standard. Optional up to 5.	Print fonts - standard:	5x5, 7x4, 7x5, 9x5, 9x7, 11x7, 12x7, 14x9, 16x9, 16x10, 16x14, 21x15, 25x15
Text sizes:	1.2 to 16mm	Print fonts - optional:	32x18
Printing speed:	Up to 500m/min (5x5 dot single line)	Screen type:	High-contrast LCD touchscreen with membrane full keyboard
Interfaces:	Ethernet, USB standard, RS232 optional	Printhead protection:	Positive air pressure
Graphics editor:	Built-in graphics editor	Ink types:	MEK-based black standard, MEK-black extra adhesion, black/blue thermochromatic
1D barcodes:	Included as standard	Ink consumption:	70 million characters 7x5 per litre
2D codes:	QR and Datamatrix included as standard	Solvent consumption:	Typically 200 hours / litre
Printhead umbilical:	3m ultra-flexible, smooth surface	iModule cores:	4000 hours / 12 months
Message storage:	1000 messages (2000 optional)		4000, 6000, 8000 and 13000 hours / 18 months
IP protection:	IP55 (IP65 optional)		
Electrical supply:	100-240Vac @ 50-60Hz		
Power consumption:	19W		
Options:	Encoder, RS232 interface, floor stand, my.ebs.ink LAN monitoring software, 32-dot print matrix, 90 degree printhead, IP65 protection rating.		